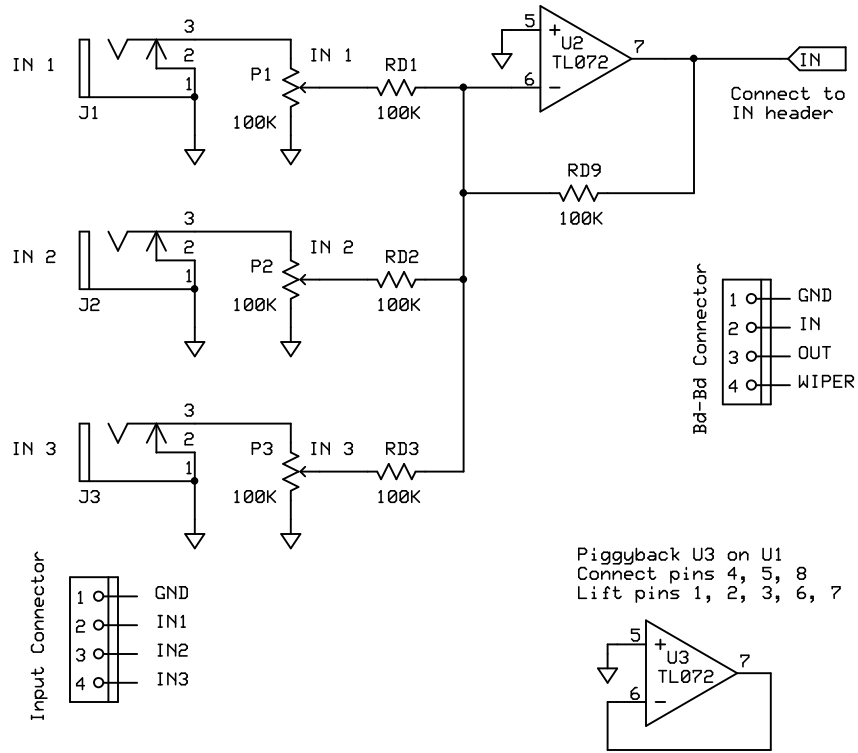
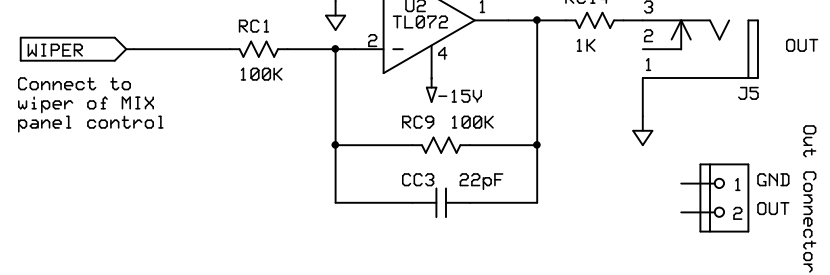


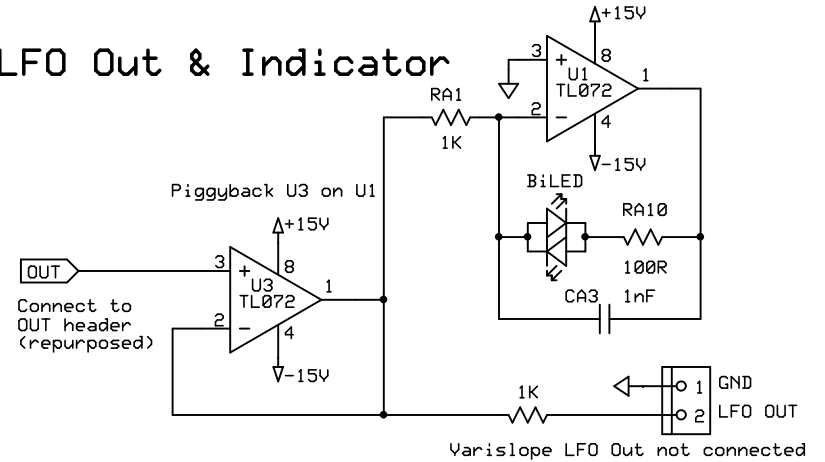
IN1-IN3 Mixer



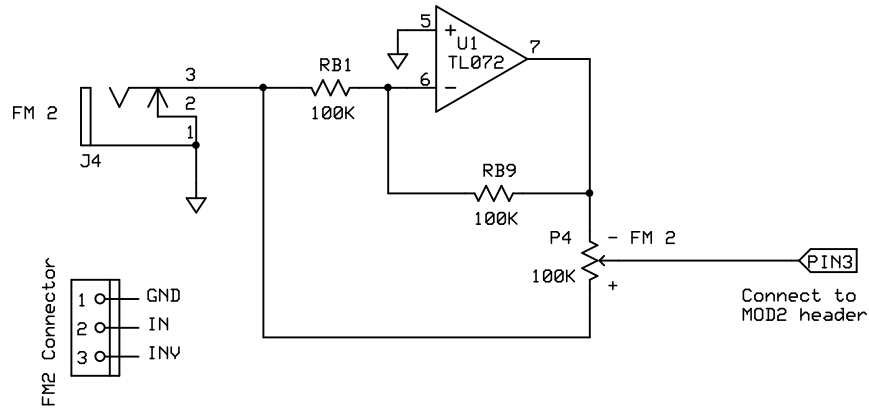
Out Buffer



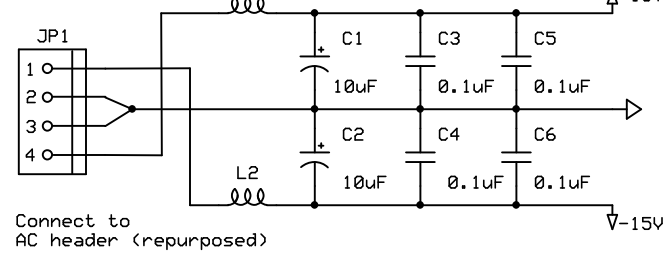
LFO Out & Indicator



FM2 Attenuator



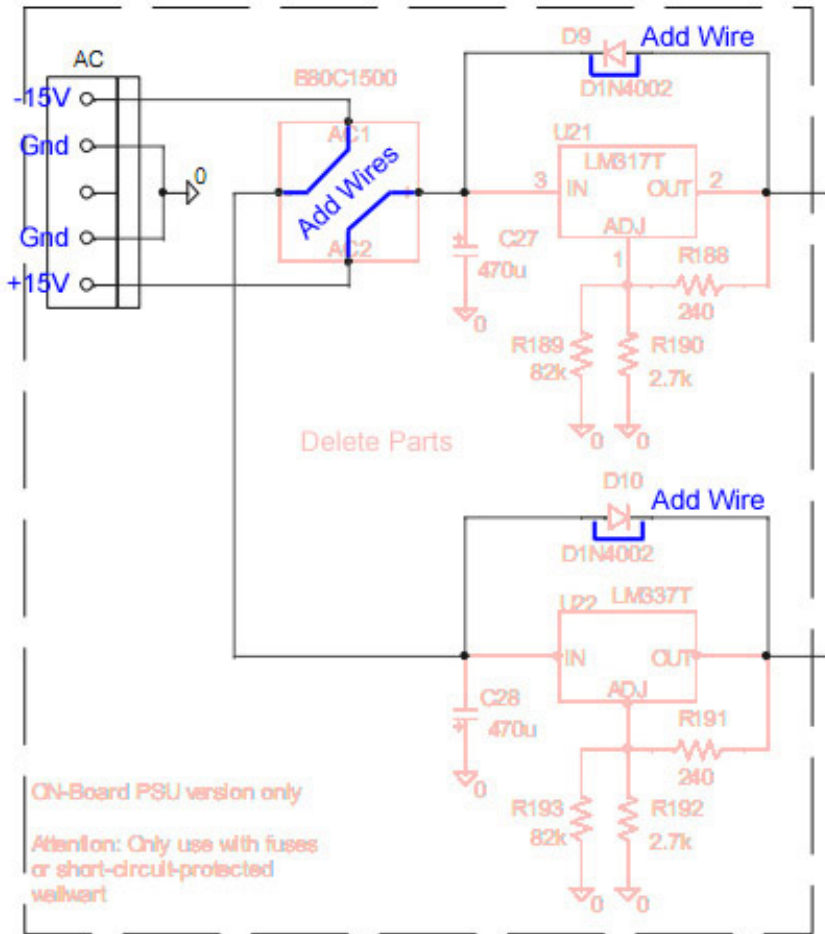
Power



Variable Slope Filter/Phaser		
ModularSynthesis		
David J. Brown	Rev 0.4 8/14/2009	Enhancements

Variable Slope Filter / Phaser Modifications

Add +/-15 Volt Power (for enhancement circuits)



Add LFO Output (for LED indicator circuit)

